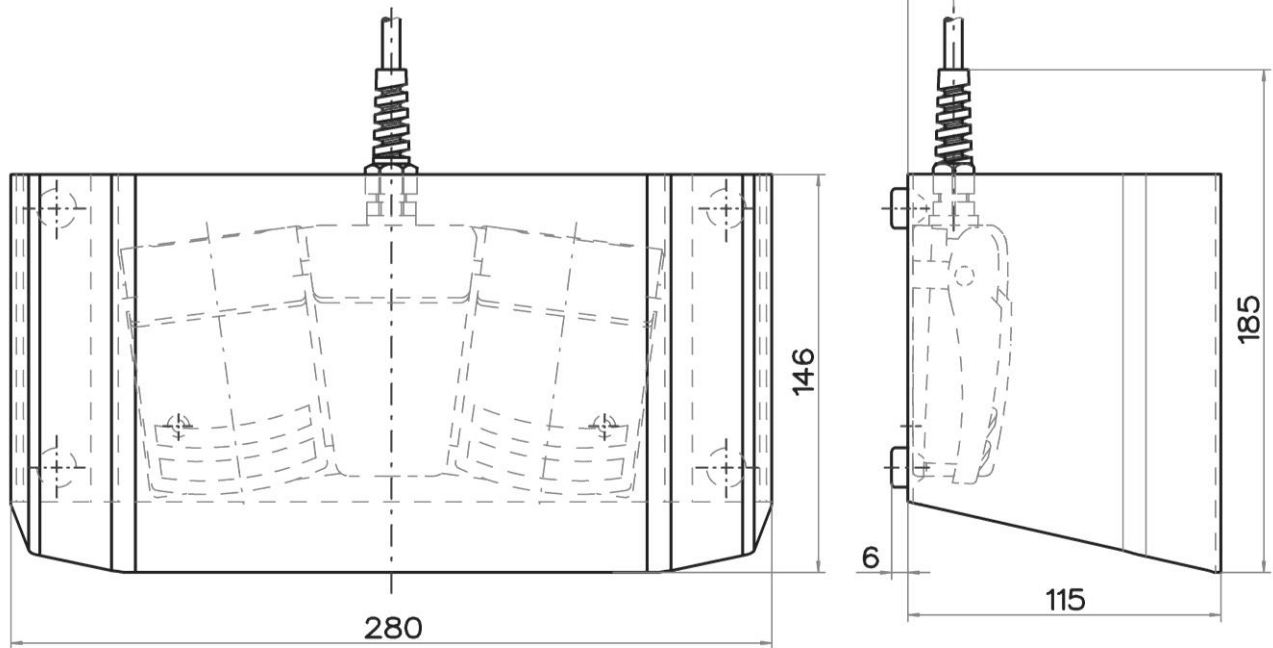
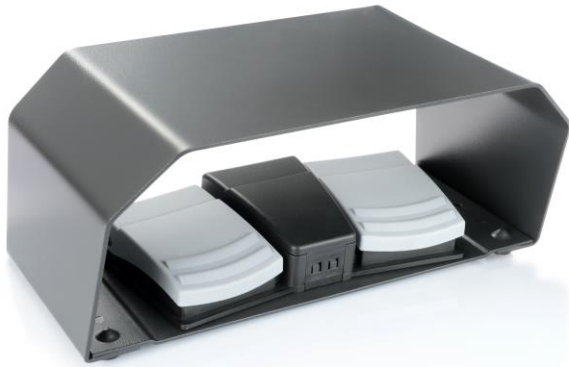


Datasheet Foot Guard FM2

Description: **FM2.. U**

Article number: ---



All dimensions in mm

Design	2-pedal foot switch, miniature design with foot guard, free standing on non-slip rubber feeds
Guard	Steel sheet, powder coated
Housing	Thermoplastic PA6 glass fibre reinforced
Pedal	Thermoplastic PA6 glass fibre reinforced
Weight	1700 g / 3,57 lbs (without Cable)